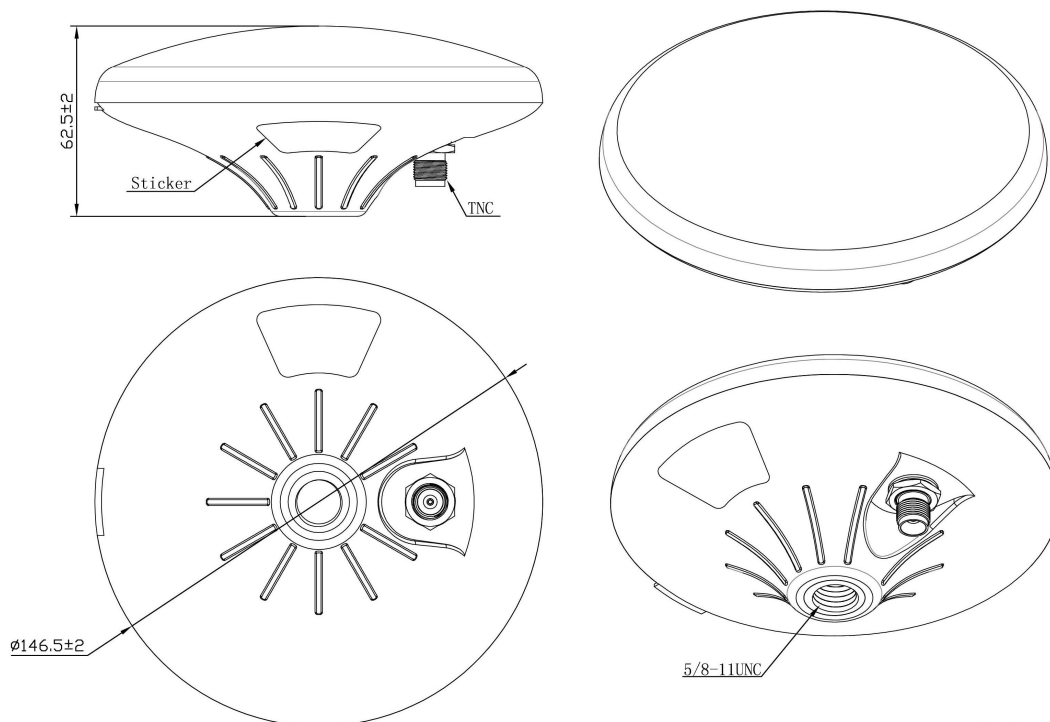


# GNSS Surveying Antenna JCA228



## DIMENSIONS



Unit:mm

**JIAXING JINCHANG ELECTRONIC TECHNOLOGY CO.,LTD**

Add: 398#, Zhenye Road, South Street, Jiaxing, Zhejiang, China

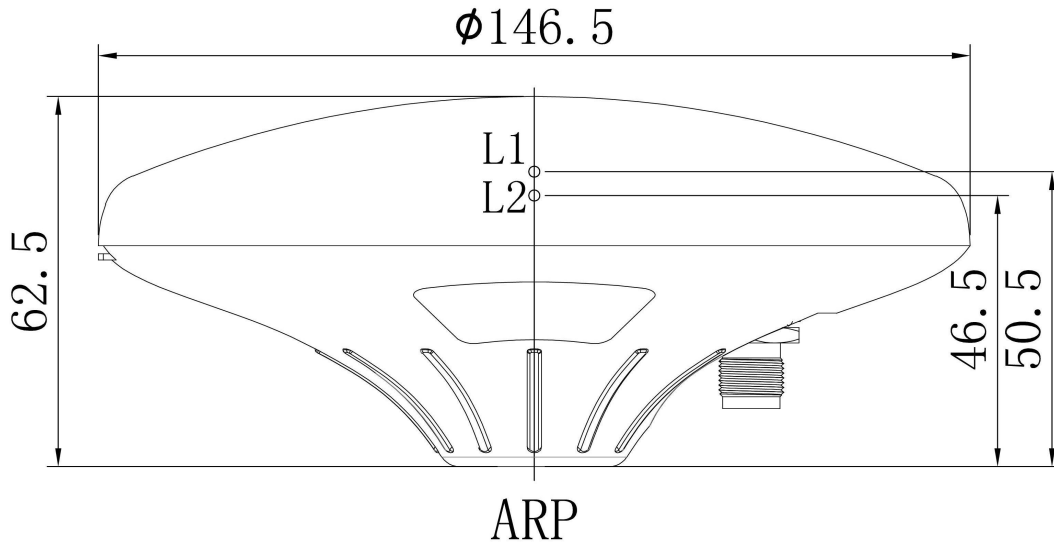
Http:// [www.jinchanggps.com](http://www.jinchanggps.com)

E-mail: [jcgps@vip.163.com](mailto:jcgps@vip.163.com)

Tel: 86-0573-83692157/83692605/83958637 Fax: 86-0573-83958635

**SPECIFICATIONS**

Item		Specifications
Antenna	Frequency	GPS L1/L2 GLONASS L1/L2 COMPASS B1/B2/B3 Galileo E5b/E6
	Polarization	RHCP
	Axial Ratio	≤3dB
	V.S.W.R	≤1.5
	Peak Gain	≥5dBi
	Impedance	50 Ω
	Phase Center Error	±2mm
	Horizontal coverage angle	360°
LNA	Gain	40 ± 2dB
	Noise Figure	≤1.5dB
	Passband fluctuation	±1dB
	Supply Voltage	3~5.5V DC
	Current Consumption	≤45mA
	V.S.W.R	≤2.0
Mechanical	Connector	TNC-K
	Radome Material	ABS
	Mounting Method	Screw
Environmental	Operating Temperature	-40°C~+85°C
	Relative Humidity	Up to 95%
	Ingress Protection	IP66
	Environmentally Friendly	ROHS Compliant

**Antenna Reference Point&Phase Center**

Mechanical Offsets Units in “mm”